

# 15. Solar deep freezer Standard style

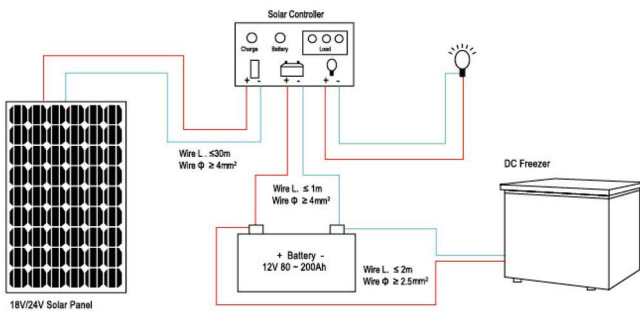


## PRODUCT FEATURES:

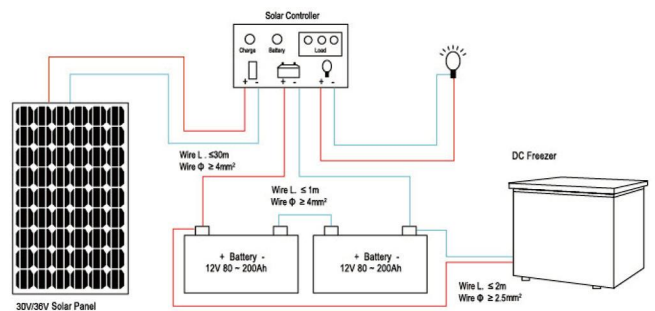
1. High quality DC compressor
2. Works as a fridge or freezer with adjustable thermostat
3. Does not require an inverter
4. Works with both 12/24 Volt systems (auto recognition)
5. Environmentally-friendly refrigerant R134a
6. Interior led light
7. Storage basket(s) included for better space utilisation inside
8. Optional Adaptor to run on AC power
9. If 200L or over 200L capacity freezer, please choose 24Volt systems connection



## 12V Solar system connection diagram



## 24V Solar system connection diagram



MODEL	BD/BC-159Q	BD/BC-209Q	BD/BC-259Q	BD/BC-309Q
Color	White	White	White	White
Rated Voltage	DC12/24V	DC12/24V	DC12/24V	DC12/24V
Rated Power	62W	67W	70W	80W
Total storage capacity	159L	209L	259L	309L
Condenser	outside	outside	outside	outside
G.W/N.W(KGS)	33/29	36/32	41/37	46/42
Product Dimension(mm)	735x535x840	870x535x840	1074X535x840	1074x660x840
Package Dimension(mm)	783x579x875	915x579x875	1119x579x875	1119x721x875
Tempreture	0~-23°C	0~-23°C	0~-23°C	0~-23°C
Foam thickness	70mm	70mm	70mm	70mm
Refrigerant	R134a	R134a	R134a	R134a
40'HQ loading (PCS)	180	156	120	96